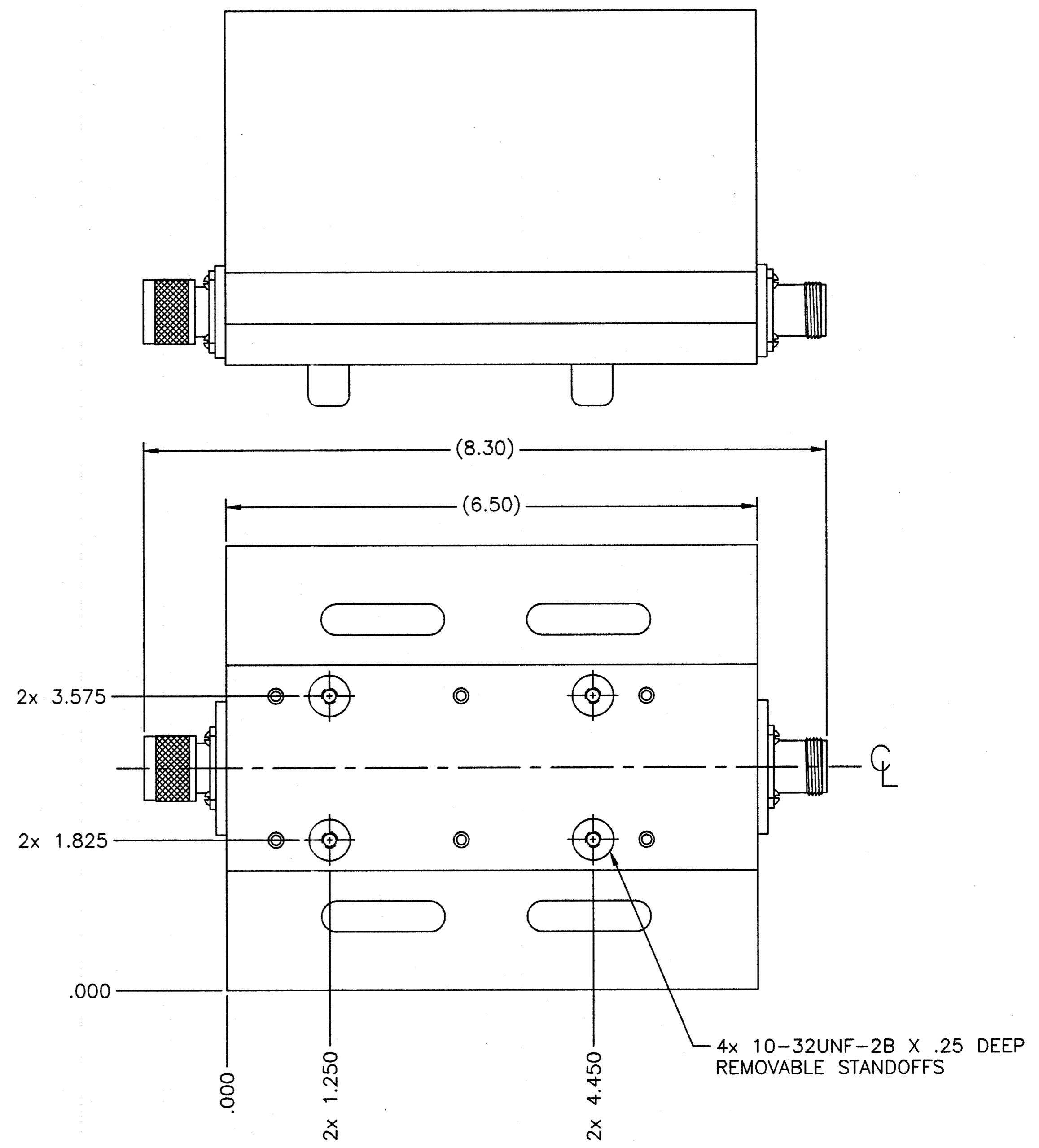
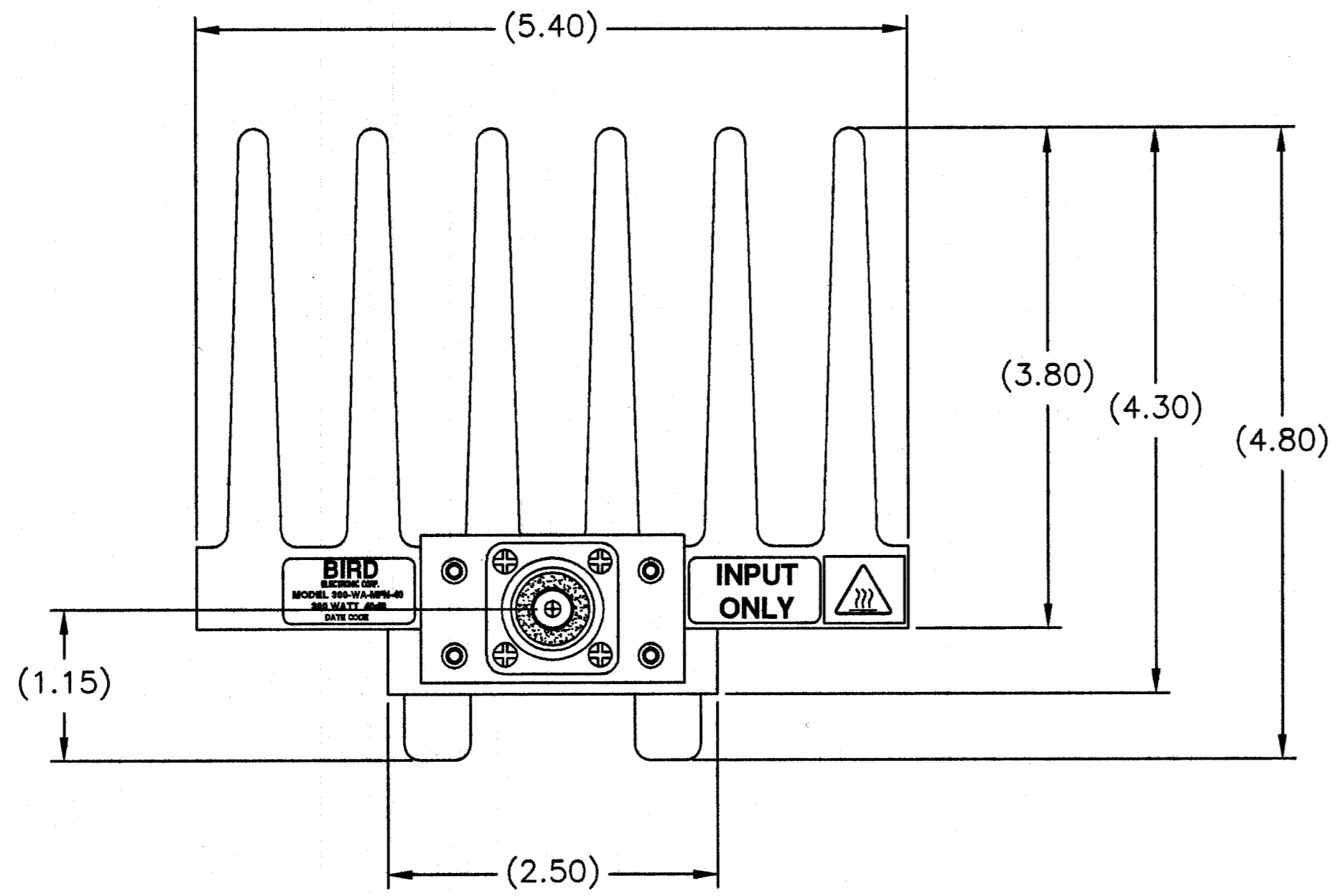


8 7 6 5 4 3 2 1

**SPECIFICATIONS:**  
 IMPEDANCE: 50 OHMS NOMINAL  
 ATTENUATION: 40dB ±1.5dB  
 FREQUENCY RANGE: DC TO 2.4GHz  
 VSWR: DC TO 1GHz AT 1.10:1 MAX.  
 1GHz TO 2.4 GHz AT 1.25:1 MAX.  
 POWER RATING: 300 WATTS AVG. AT 25°C AMBIENT  
 COOLING FIN: ALUMINUM, BLACK ANODIZED  
 COVER: ALUMINUM, BLACK ANODIZED  
 CONNECTORS: N-TYPE MALE/FEMALE, TRI-ALLOY PLATED  
 OPERATING POSITION: ANY POSITION EXCEPT MOUNTING SURFACE UP  
 NOMINAL SIZE: APPROX. 8.30" L X 5.400" W X 4.800" H  
 WEIGHT: APPROX. 5 LBS

REVISIONS				
ZONE	REV	DESCRIPTION	DATE	APPROVED
	A	CONVERT TO BEC FORMAT	DMR 5-28-03	<i>MDR</i>



D  
C  
B  
A

D  
C  
B  
A

DIMENSIONS HEREON ARE FOR CUSTOMER CONVENIENCE AND REFERENCE ONLY. TOLERANCE TO BE APPLIED ONLY WHERE INDIVIDUALLY STATED ON THE RESPECTIVE DIMENSION. -DO NOT SCALE DRAWING-

UNLESS OTHERWISE SPECIFIED DIMENSIONS ARE IN INCHES		MILLIMETERS X= ±.4 XX= ±.12		THIS DRAWING IS THE PROPERTY OF THE BIRD ELECTRONIC CORPORATION. THE DESIGNS AND SPECIFICATIONS DISCLOSED HEREON ARE PROPRIETARY AND SHALL NOT BE REPRODUCED, NOR COPIED, NOR USED AS THE BASIS FOR THE MANUFACTURE OR SALE OF APPARATUS OR DEVICES WITHOUT THEIR EXPRESS WRITTEN CONSENT.	
TOLERANCES ARE: FRACTIONS DECIMALS ANGLES ±1/64 .005 ±.010 ±30'		DO NOT SCALE DRAWING		APPROVALS	
DRAWN D.M.RINK		DATE 5-28-03		TITLE ATTENUATOR, CONVECTION COOLED N-TYPE MALE/FEMALE, 40dB, 300W	
CHECKED		SIZE FSCM NO. D		DWG. NO. 70998	
APPROVED <i>MDR</i>		SCALE 1:1		COM CODE AT1	
FINISH		AUTOCAD		SHEET 1 OF 1	

8 7 6 5 4 3 2 1